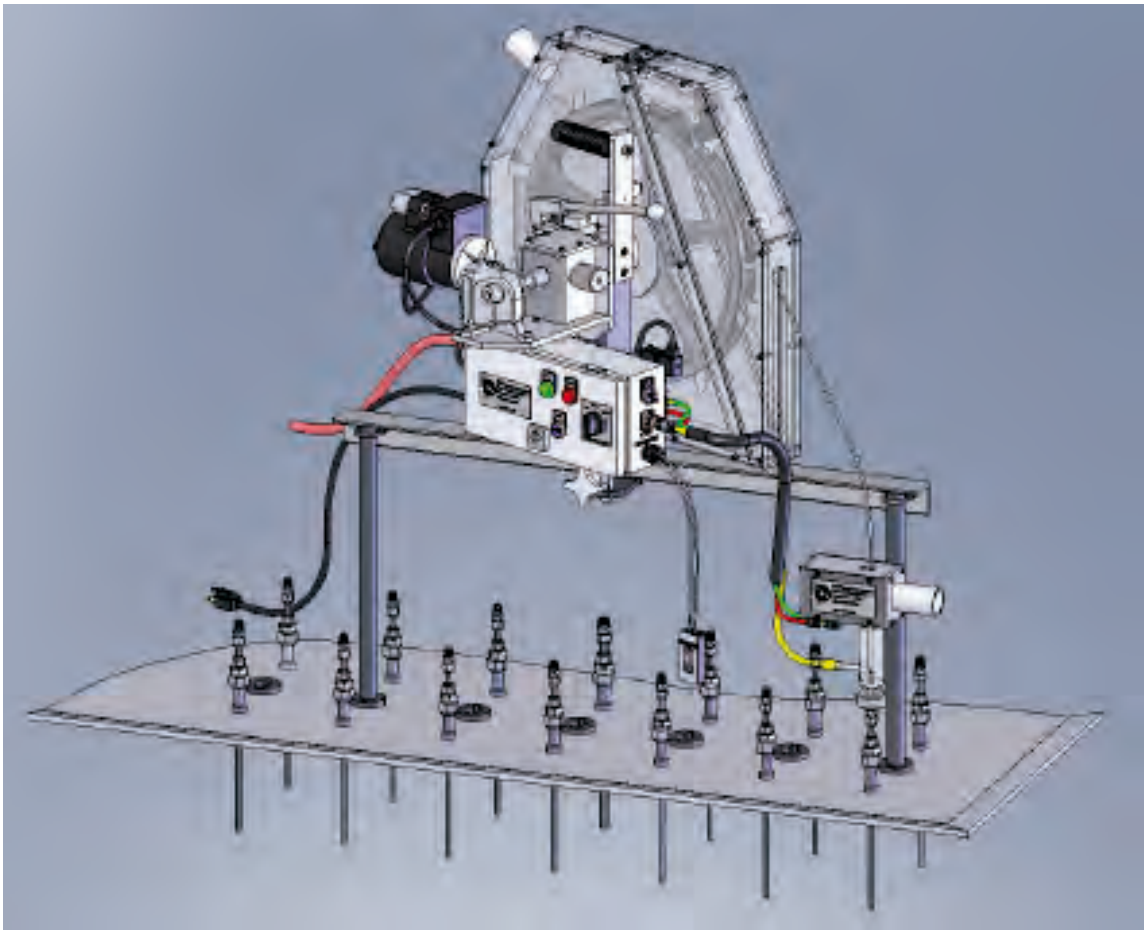




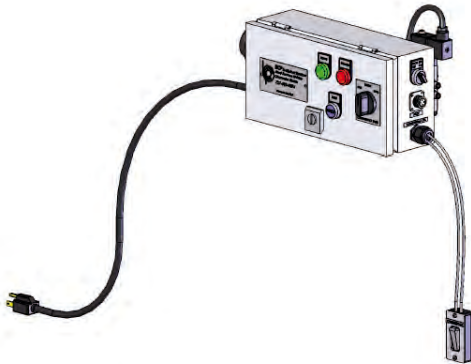
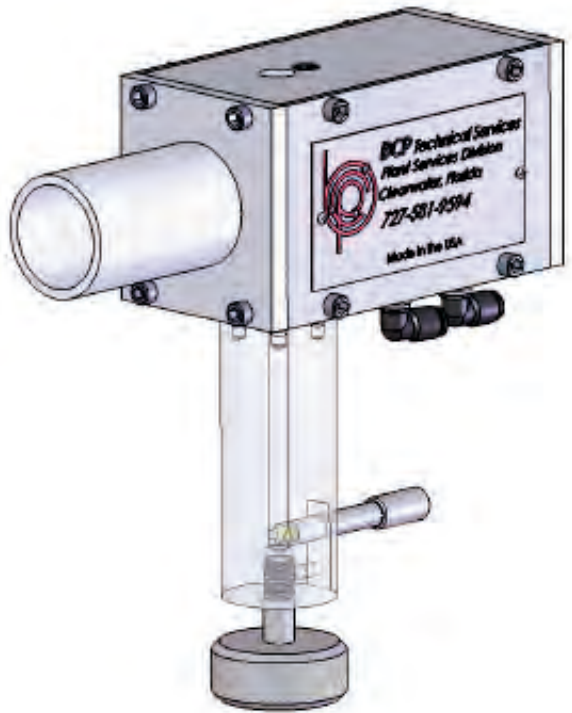
BCP TECHNICAL SERVICES, INC.

Powered ECT Reel System for Flux Thimbles



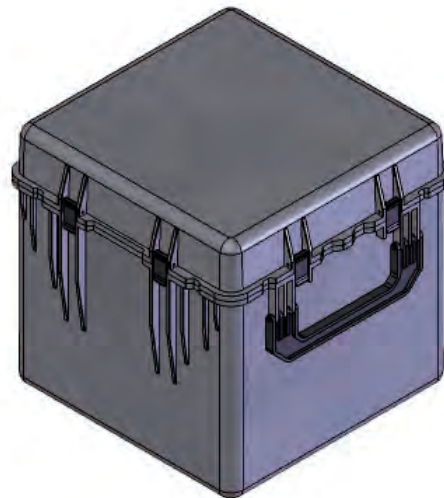
- **Manual Eddy Current Cable Insertion**
- **Powered Cable Retraction**
- **Contamination Control Hood Enclosure**
- **Thimble Mounted Cable Braking**

Thimble Mounted Cable Brake with HEPA vent connection captures the cable at the top of the thimble, eliminating the possibility of the cable leaving the flux thimble and slapping around the reel, spreading contamination and possibly damaging the detector.



Motor/Brake controller with pendent switch

Complete ECT Reel System Supplied in a durable Pelican storage case



**BCP Technical Services
Plant Services Division
Clearwater, Florida
727 581-9594**

Made in USA