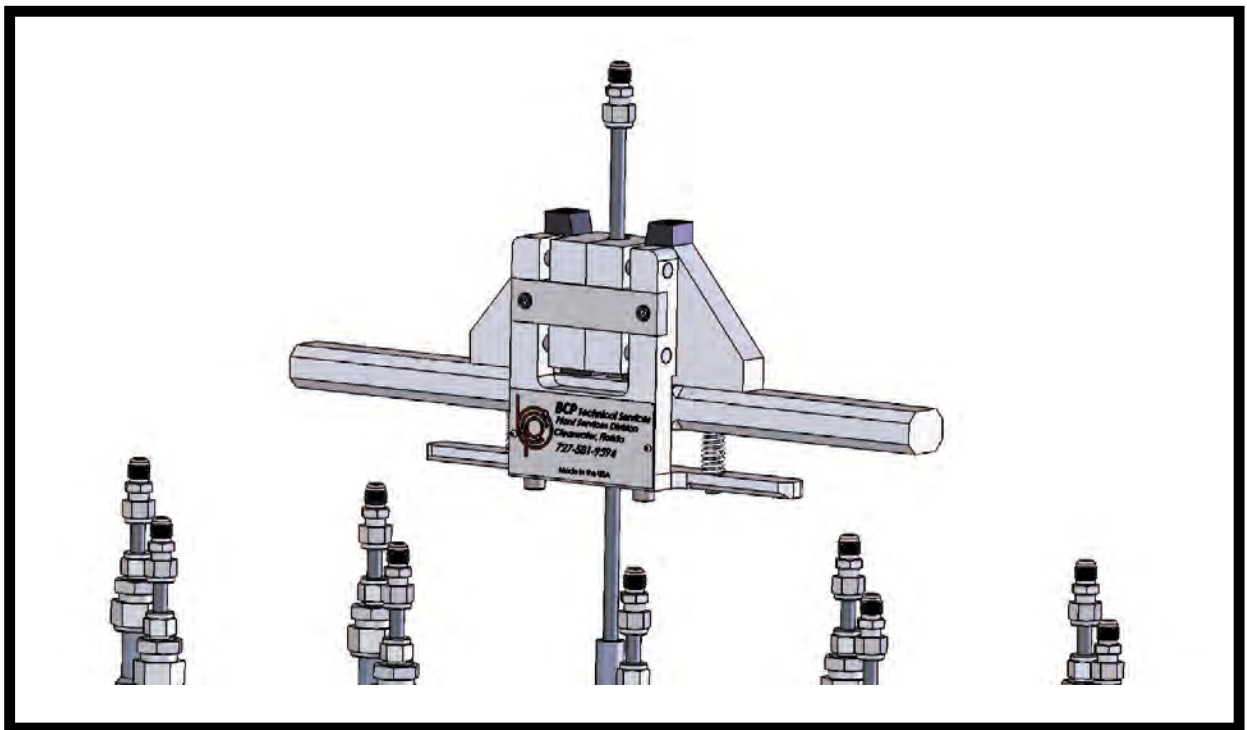


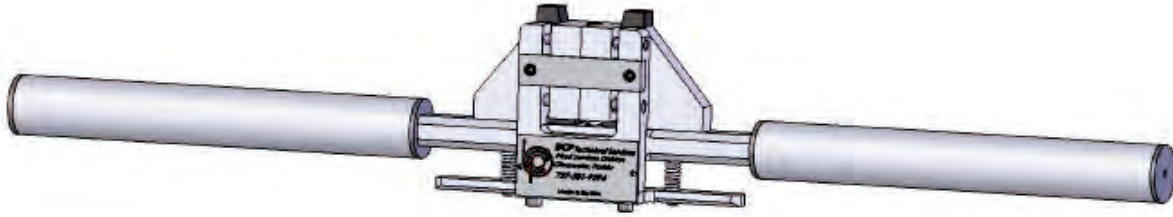


BCP TECHNICAL SERVICES, INC.

Manual Flux Thimble Retracting Tool



- Superior leverage for retracting thimbles
- Reversible for use in thimble insertion
- Heavy duty, compact and easy to operate
- Low Cost alternative to expensive and bulky hydraulic thimble jacking tools



Retracting Tool with Handle Extensions installed, for two technicians to operate tool, for enhanced leverage



**Retracting Tool and Extensions
Supplied in a Durable
Carrying Case**



**BCP Technical Services
Plant Services Division
Clearwater, Florida
727 581-9594**

Made in USA